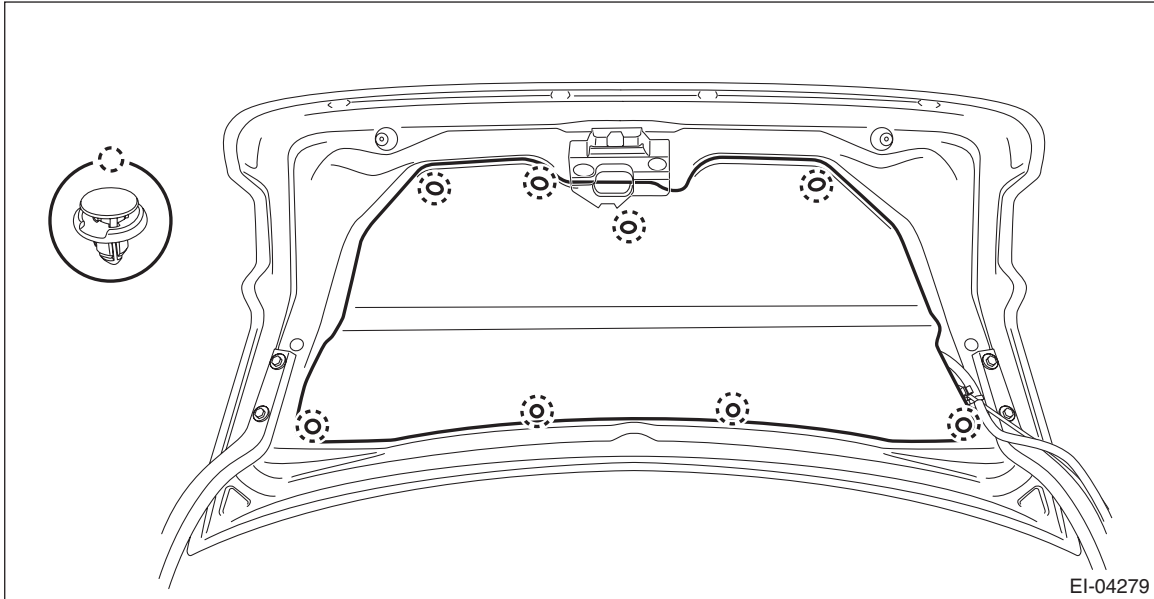


## 27.Trunk Room Trim

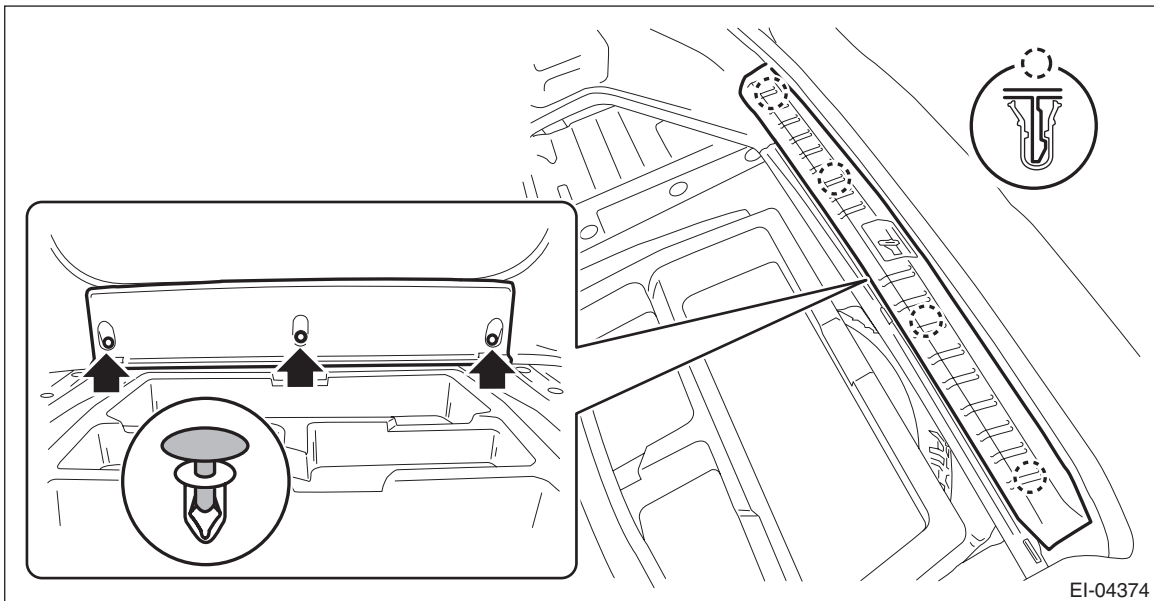
### A: REMOVAL

- 1) Remove the clips, and remove the trim panel - trunk lid.



EI-04279

- 2) Tilt the backrest assembly forward.
- 3) Remove the mat - trunk.
- 4) Remove the trim panel - trunk rear.
  - (1) Remove the clip.
  - (2) Release the claws, and remove the trim panel - trunk rear.

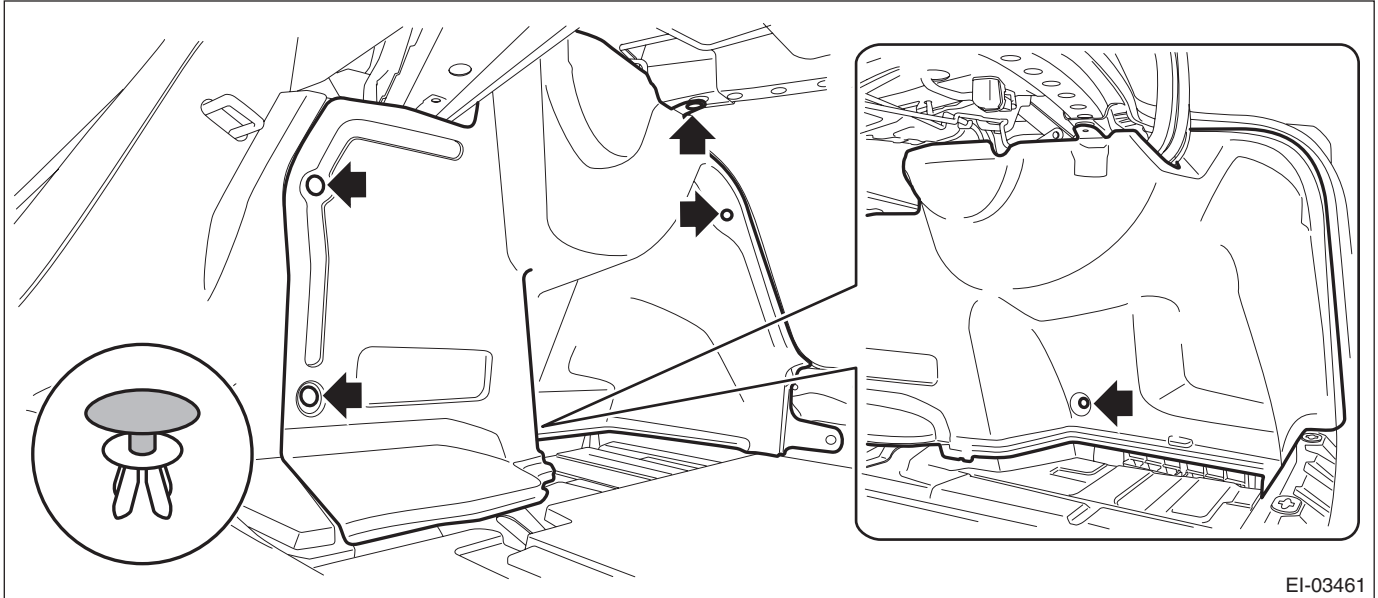


EI-04374

# Trunk Room Trim

## EXTERIOR/INTERIOR TRIM

5) Remove the clips, and remove the trim panel - trunk side.



## B: INSTALLATION

- 1) Install the trim panel - trunk lid.
- 2) Install the trunk room mat.
- 3) Install the trim panel - trunk rear.